

V-Wide

Equipped with unique optical lens at 165° beam. V-wide provides the perfect solution for back-lighting source such as lightbox, architectural ceiling and wall at a lower cost than conventional light source.



DC12V

5.5W/unit

Indoor

165° Beam

Dimmable

V-WIDE (Mono-Color version)

- Suitable for PVC Stretch Ceiling
- Brownie also supply and install stretch ceiling as optional service
- V-Wide application is mainly for lightbox, signage and also with stretch ceiling film.

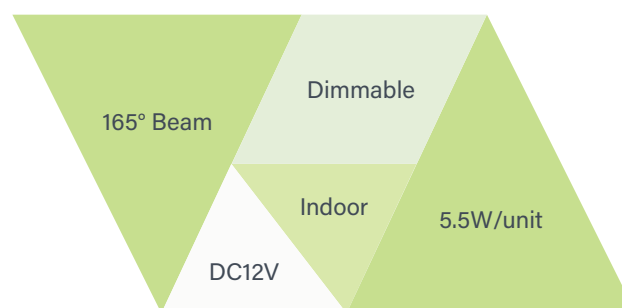


Example of V-Wide application.

FEATURES

- 1ft long back-lighting module with optical lens that emits 165° beam
- Typical module pitch at 140mm for lightbox depth of minimum 75mm
 - Box depth can be minimum 55% of the module pitch
- Optional accessory product of PVC stretch ceiling film ("Motion-Tech" brand) using raw material from PONGS Germany that has up to 50% light transmission rate
- Available in both mono-color white and RGB + Warm (2700K)

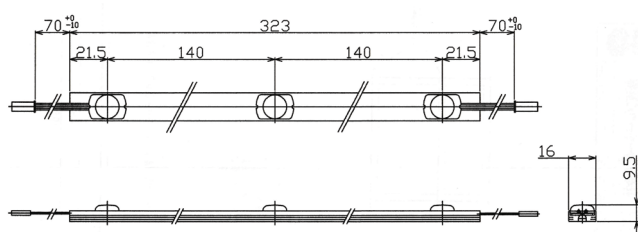
BASIC SPECIFICATION



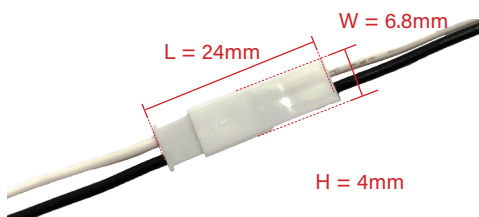
MECHANICAL DRAWING

Module Dimension 323mm(L) x 16mm(W) x 9.5mm(H)
 (at maximum point)

LED-LED Pitch 140mm



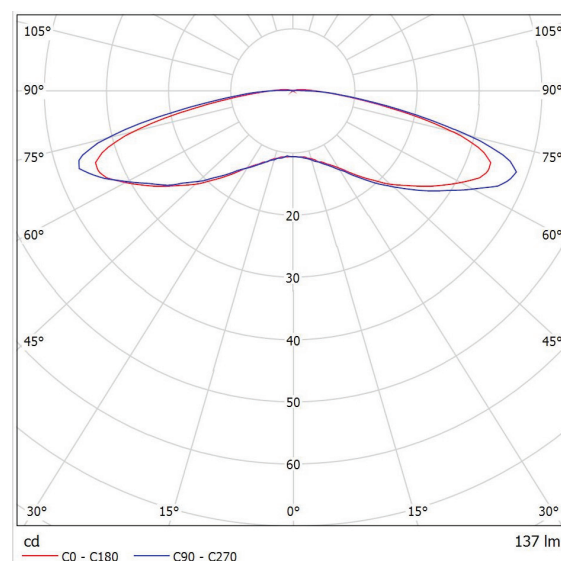
Male-Female Connector
 (Standard Spec comes with this connector)



White Cable = Positive (+)
 Black Cable = Negative (-)

PHOTOMETRICS

Product Code: WA0323-30D
 NICHIA Power LED
 Luminaire Wattage: 5.5W/unit (L323mm) @12.0Vdc input
 Fixture Lumen: 560 Lumens
 165° beam
 CIE Flux Code: 44 74 91 93 100
 (Fitting: 1 x User defined (Correction Factor 1.000).)



MODEL NO

Model No

WA **XXXX** – **XXX** **D**

Fixture Type

Fixture Length

Color Temperature

Type of LED used

Fixture Type

WA → Wide Angle Modele V-Wide

Fixture Length (for V-Wide)

0323 → L323mm, **Standard**

Color Temperature

273 → 2700K

303 → 3000K

353 → 3500K, Build-to-order

403 → 4000K

653 → 6500K, Build-to-order

FWX → RGB + Warm White 2700K * Available only in Ra85 typ

Type of LED used

D → Type D, power LED manufactured by NICHIA Japan (Ra85 typ.)

Example

WA **0323** – **303** **D**

Fixture Type

Fixture Length

Color Temperature

Type of LED used

Wide Angle Modele V-Wide

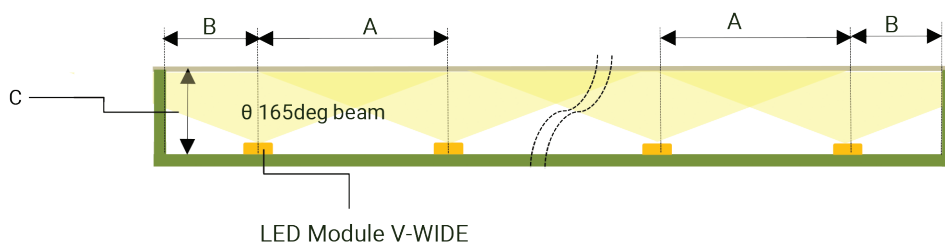
L323mm, Standard

3000K

Type D, power LED manufactured by NICHIA Japan (Ra85 typ.)

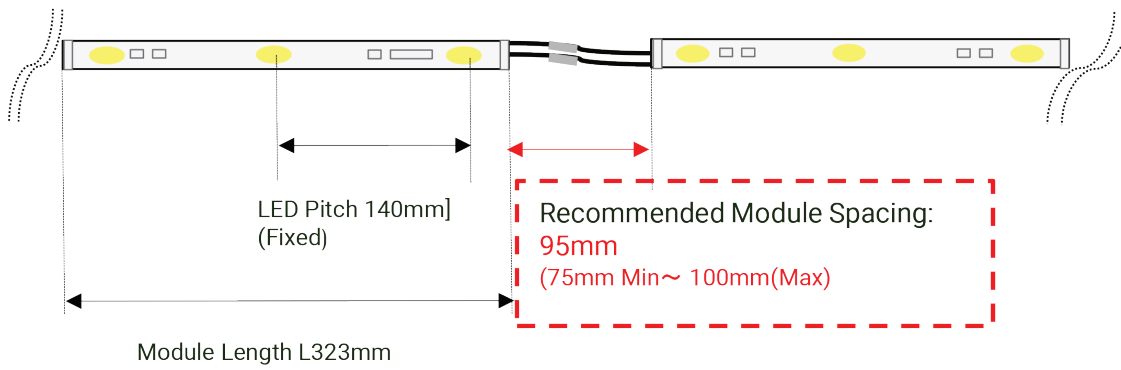
PRODUCT SPECIFICATIONS	
Model No.	WA0323-xxxD (The code of "x" stands for Colour Temperature)
Input Voltage	12Vdc
Cable Polarity	White (or Red) - Positive (+) Black - Negative (-)
Power Consumption	5.5 Watt per unit
Dimension (mm)	L323mm x 16mm(W) x 9.5(H)mm (at maximum point excluding cable/connectors)
Weight	62 grams
Casing Body	Aluminium
Beam Angle	165°
Operating Temperature	-5°C~45°C
Maximum Module No in Series Connection	8 units
LED Pitch	140mm
Ingress Protection	IP20
Lumen (typical @ 3000K)	560 Lumens/unit
Dimming	Possible (under 0-10V/1-10V, DMX, Dali; depending on interface dimming module)
Available LED Colour	2700K / 3000K / 3500K / 4000K / 6500K (All CRI Ra85 typical) / RGB + Warm 2700K (Colour indicated in red: Usually faster production lead time)

TIPS ON MODULE PITCH / SPACING



Dimension A	Module Pitch (centre to centre)	140mm (at Max.)
Dimension B	Module Pitch (centre to centre)	Module Pitch X 1/2 (at Max.)
Dimension C	Box Depth (height)	80mm at Min.

SPACING OF MODULE AT LENGTHWAYS

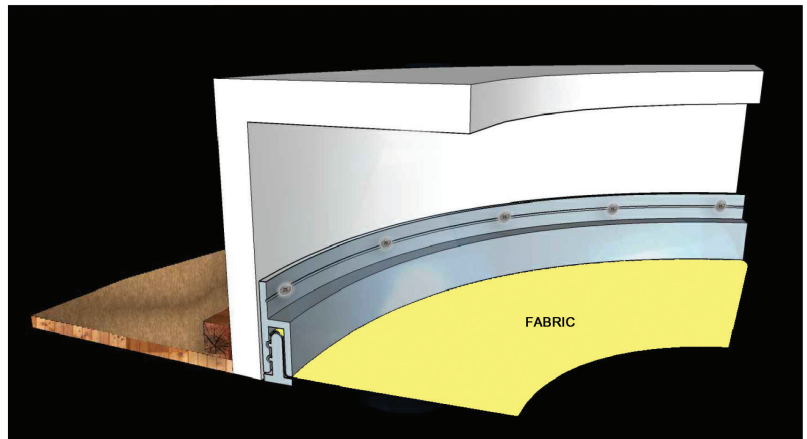
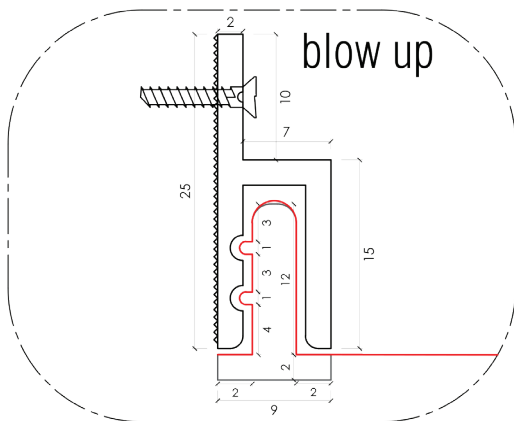


INTEGRATED SOLUTION WITH PVC STRETCH FILM & V-WIDE LED MODULE (as optional service)

PVC Stretch Ceiling Film = Supply & installation 5 years Maintenance-Free for both LED + Stretch Ceiling Film
Model: SCFXXXX-XXXX

FEATURES

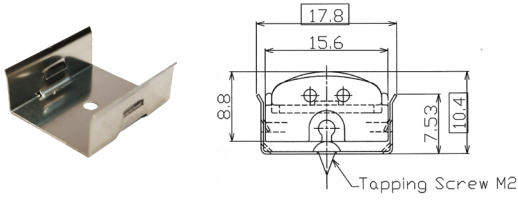
- Transmission rate: Up to 50%.
- Weight: 180 grams/sqm.
- Fire retardant level: Inflammable M1 Classification (DIN EN 13501-1 Bs2 D0).
- UV Resistant.
- Installation Method: using PVC profile (20mm x 8mm) cut to the length provided by us. (See below detail typical detail section).



OPTIONAL ACCESSORIES

1 Metal (SUS) Mounting Clip Bracket 0° Flat

Model: MMC-0DEG



2 Metal Mounting Clip Bracket 30°

Model: MMC-30DEG

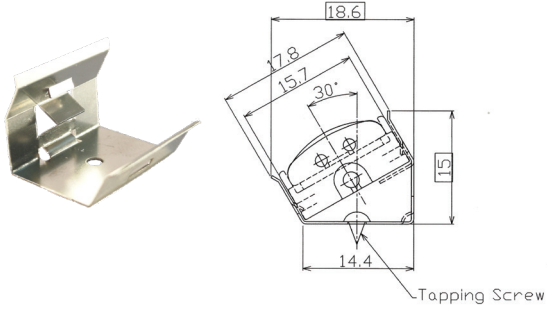


PHOTO REFERENCES / APPLICATIONS

